

ELLEPI

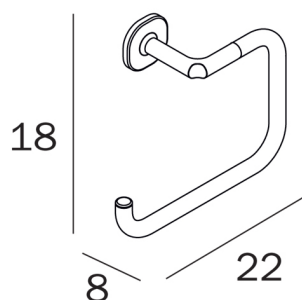
design Grey ID

COD A44160

Portasalviette ad anello



**DISEGNO
TECNICO**



INDA srl
Operational Headquarters
Via dell'Industria, 41
I-24040 Pagazzano (BG)

tel. +39 0363 38061
fax. +39 0363 070035
Administration +39 0363 740103

www.inda.net
info@inda.net

 **inda**[®]

ELLEPI

design Grey ID

FINITURE



CR Cromato



NE Nero opaco



WM Bianco opaco



NZ Nickel spazzolato / Cromato

ELLEPI

design Grey ID

TECNOLOGIE



INDA srl
Operational Headquarters
Via dell'Industria, 41
I-24040 Pagazzano (BG)

tel. +39 0363 38061
fax. +39 0363 070035
Administration +39 0363 740103

www.inda.net
info@inda.net

 **inda**[®]